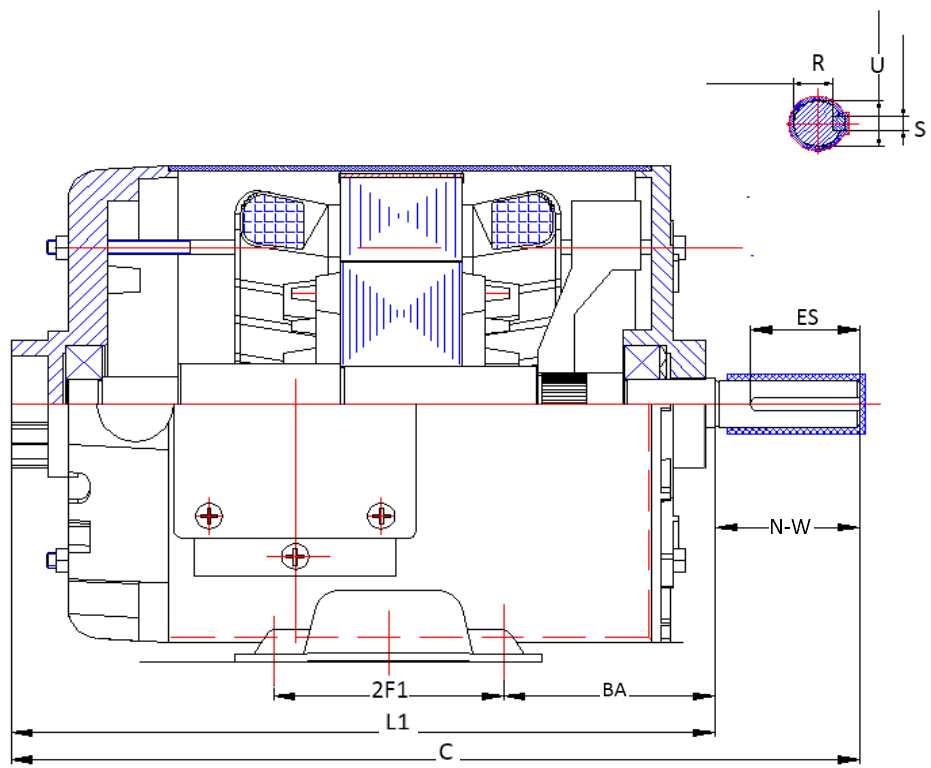
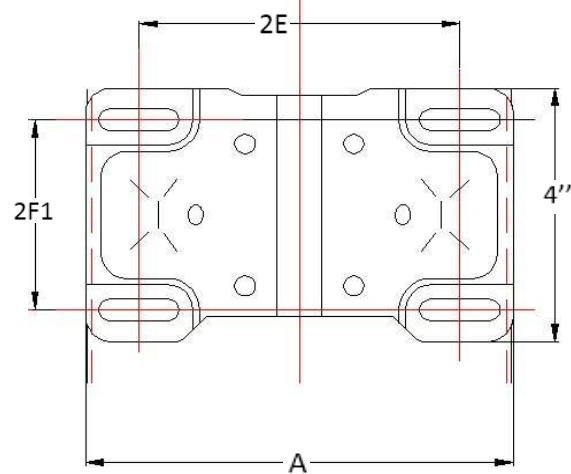
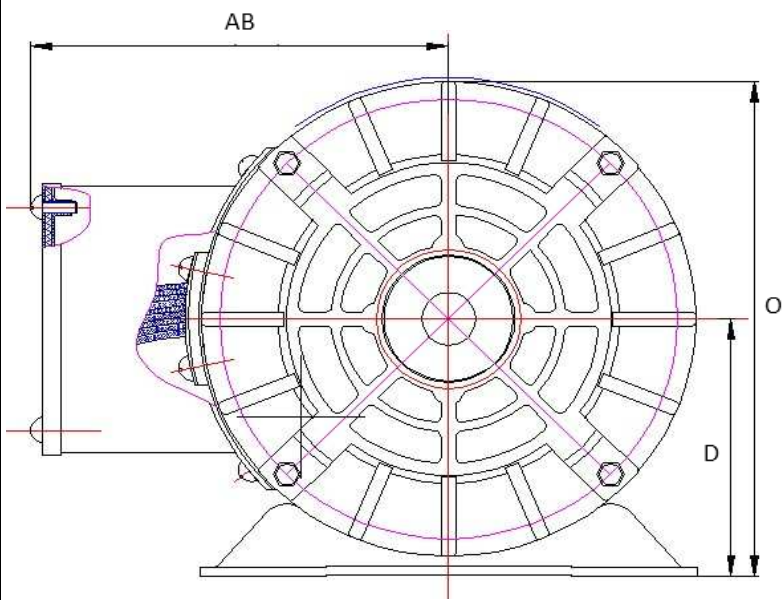
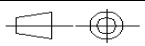


Orientation



Frame	D	2E	E	2F1	H	U	BA	N-W	C
56	3.5"	4.88"	2.44"	3.00"	5.00"	.34"	.625"	2.75"	11.06"
		<b>BF</b>	<b>O</b>	<b>AB</b>	<b>A</b>	<b>R</b>	<b>ES</b>	<b>S</b>	<b>L1</b>
		4 * 3/8"-16	7.44"	5.47"	6.5"	.517"	1.42"	.188"	9.17"

HP	RPM	VOLTAGE	FLA	SF	WGT	MKR-124W	
1/2	1725	575	0.8	1.25	22.7	56 Frame 3 Ph Rolled Steel ODP	

Revised: Feb. 2015

